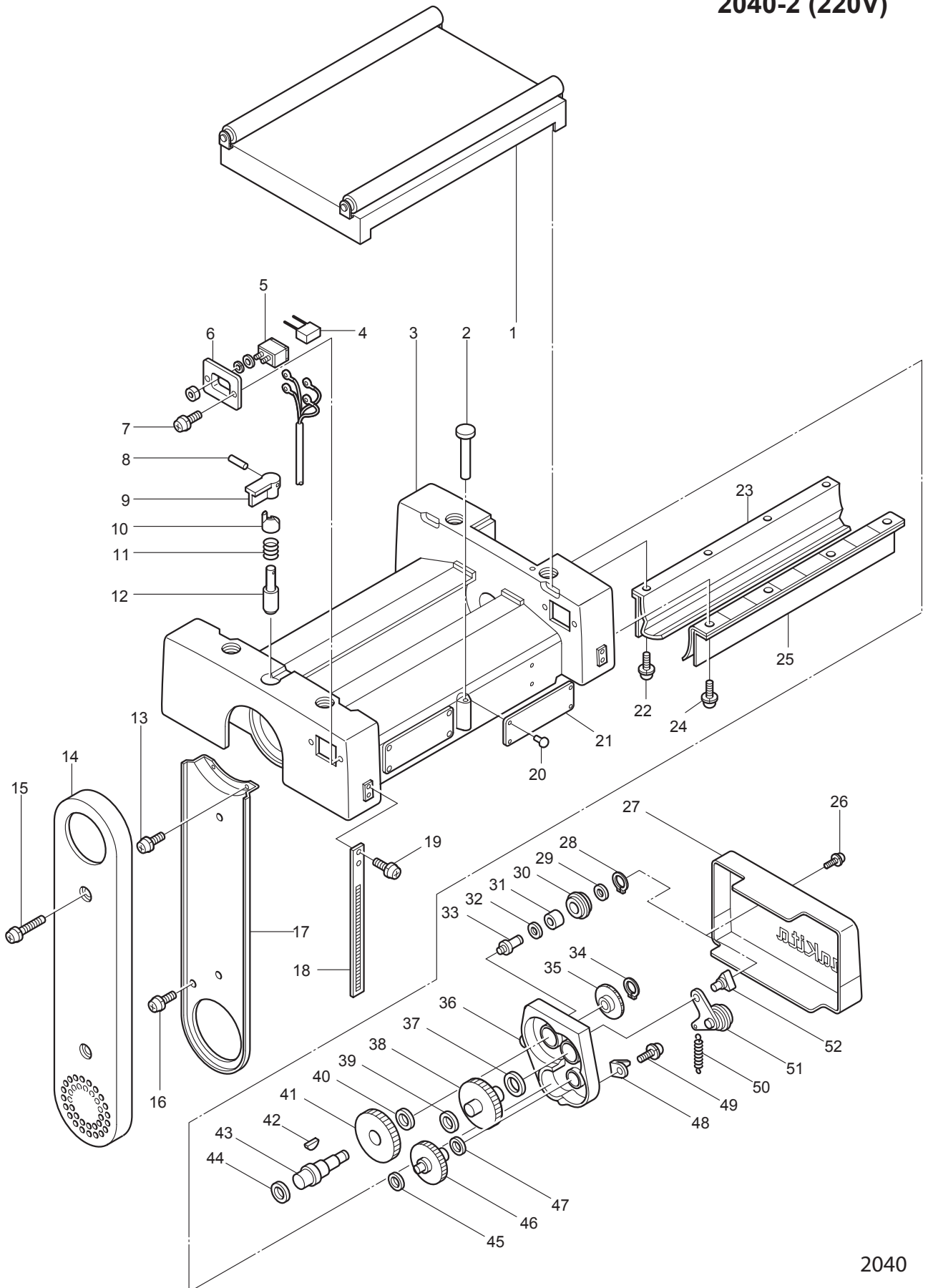
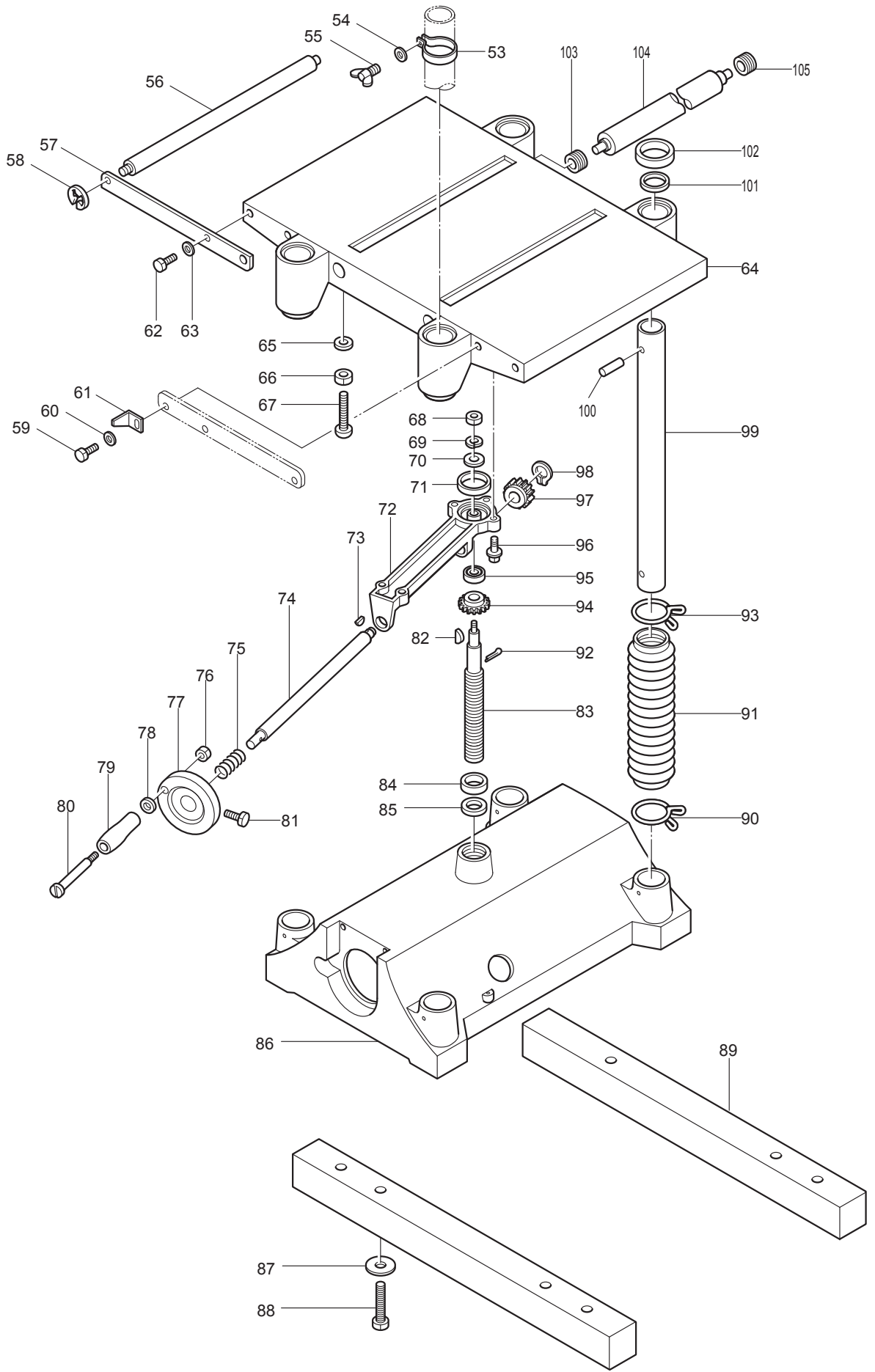
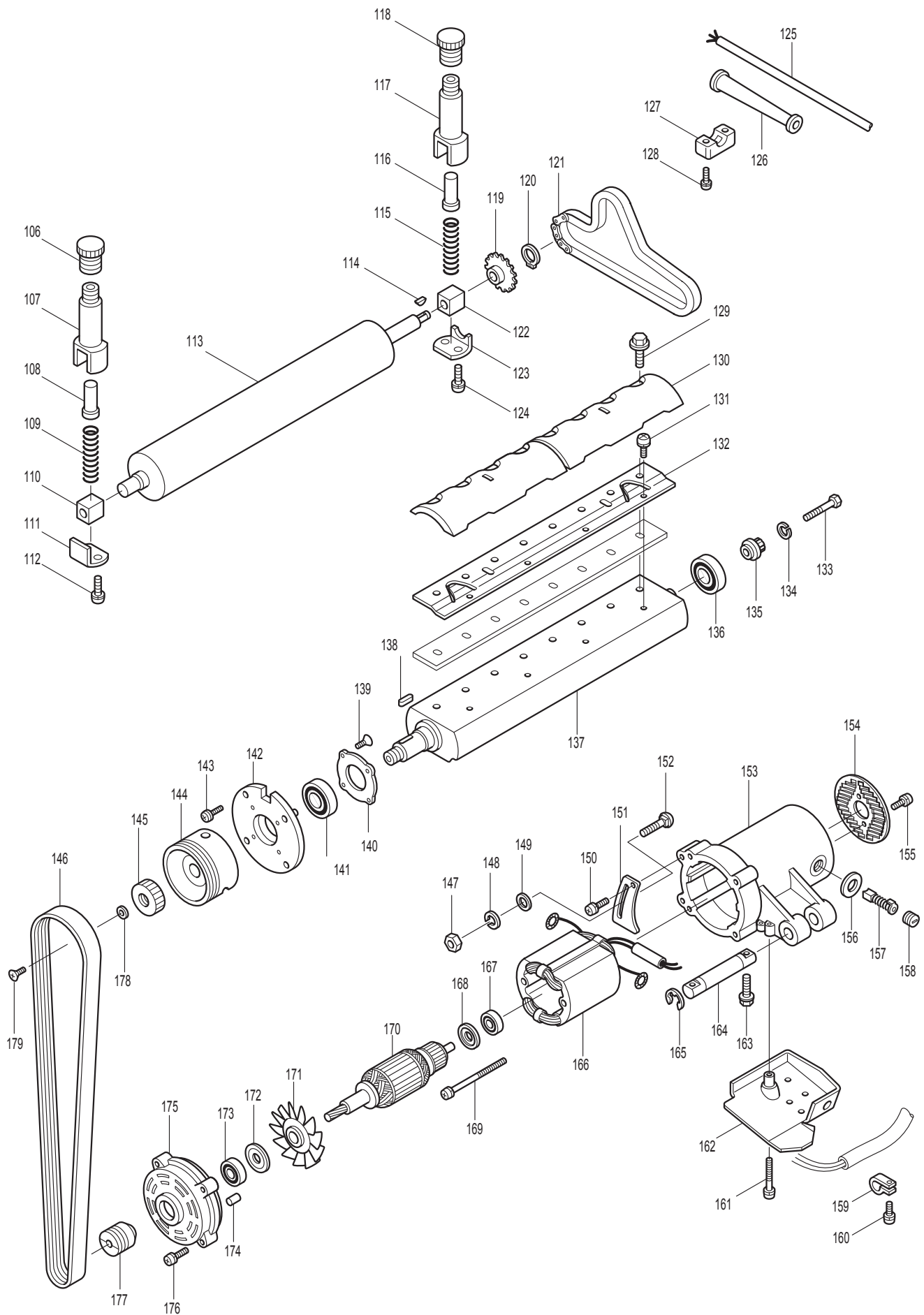




**15 3/4" PLANER
MODEL 2040
2040-1 (115V)
2040-2 (220V)**







Item No	Type	Part No	Description	Qty	Unit
1	1	152139-6	CHIP COVER COM	1	PC.
	2	152231-8	CHIP COVER	1	PC.
2		323700-8	GAUGE	1	PC.
3		156486-7	MAIN FRAME	1	PC.
	INC.	214052-7	PLANE BEARING 10	1	PC.
	INC.	214103-6	PLANE BEARING 12	1	PC.
	INC.	214154-9	PLANE BEARING 14	1	PC.
	INC.	817625-1	CAUTION LABEL	1	PC.
	INC.	817635-8	CAUTION PLATE	1	PC.
	INC.	953106-2	RIVET 0-5	4	PC.
	INC.	817958-4	CAUTION LABEL	2	PC.
5		651750-6	SWITCH	1	PC.
7		911211-1	PAN HEAD SCREW M5X12	2	PC.
8		951113-9	SPRING PIN 4-18	1	PC.
9		272208-8	LEVER 50	1	PC.
10		313026-6	BUSH 10	1	PC.
11		231226-5	COMPRESSION SPRING 11	1	PC.
12		323701-6	LOCK PIN - N/L/A	1	PC.
13		911231-5	PAN HEAD SCREW M5X20	2	PC.
14		164483-9	BELT COVER - N/L/A	1	PC.
15		911256-9	PAN HEAD SCREW M5X35	2	PC.
16		911206-4	PAN HEAD SCREW M5X10	2	PC.
17		343316-3	BELT COVER STAY	1	PC.
18		155344-4	SCALE BAR - N/L/A	1	PC.
19		911216-1	PAN HEAD SCREW M5X14	2	PC.
20		953106-2	RIVET 0-5	4	PC.
22		911216-1	PAN HEAD SCREW M5X14	4	PC.
23		164499-4	PRESSURE PLATE	1	PC.
24		911216-1	PAN HEAD SCREW M5X14	4	PC.
25		164493-6	CHIP BREAKER	1	PC.
26		911206-4	PAN HEAD SCREW M5X10	2	PC.
27		343317-1	CHAIN COVER	1	PC.
28		961052-5	RETAINING RING S-12	1	PC.
29		253759-0	FLAT WASHER 12	1	PC.
30		323407-6	TENSION ROLLER	1	PC.
31		212104-8	NEEDLE BEARING 1212	1	PC.
32		253759-0	FLAT WASHER 12	1	PC.
33		333131-3	TENSION CORE	1	PC.
34		961052-5	RETAINING RING S-12	1	PC.
35		221503-3	SPROCKET 15	1	PC.
36		156458-2	GEAR HOUSING	1	PC.
	INC.	214052-7	PLANE BEARING 10	1	PC.
	INC.	214103-6	PLANE BEARING 12	1	PC.
	INC.	214156-5	PLANE BEARING 14	1	PC.
37		253759-0	FLAT WASHER 12	1	PC.
38		226042-8	GEAR COMPLETE 13-61	1	PC.
39		253759-0	FLAT WASHER 12	1	PC.
40		253760-5	FLAT WASHER 14	1	PC.
41		221645-3	HELICAL GEAR 69 - N/L/A	1	PC.
42		254001-2	WOODRUFF KEY 4	2	PC.
43		325580-8	DRIVING SHAFT	1	PC.
44		253760-5	FLAT WASHER 14	1	PC.
45		253758-2	FLAT WASHER 10	1	PC.
46		226041-0	GEAR COMPLETE 11-73 - N/L/A	1	PC.
47		253758-2	FLAT WASHER 10	1	PC.
48		342540-5	HOOK	1	PC.
49		911256-9	PAN HEAD SCREW M5X35	1	PC.
50		231745-1	TENSION SPRING 9	1	PC.
51		163108-2	TENSIONER	1	PC.
52		333132-1	CHAIN COVER CORE - N/L/A	1	PC.
53		342541-3	STOP RING 50	1	PC.

Item No	Type	Part No	Description	Qty	Unit
54		257023-1	RING 6	1	PC.
55		924336-2	WING BOLT M6X25	1	PC.
56		152312-8	EXTENSION ROLLER 25-395	2	PC.
57		343852-9	ROLLER ARM - N/L/A	4	PC.
58		961015-1	STOP RING E-9	4	PC.
59		921441-6	HEX. BOLT M8X25	4	PC.
60		941201-0	FLAT WASHER 8	4	PC.
61		342539-0	INDICATOR PLATE	1	PC.
62		921441-6	HEX. BOLT M8X25	4	PC.
63		941201-0	FLAT WASHER 8	4	PC.
64		311432-9	TABLE	1	PC.
65		942151-2	SPRING WASHER 6	4	PC.
66		931302-2	HEX. NUT M6	4	PC.
57		251278-0	+ PAN HEAD SCREW M6X55	4	PC.
68		931601-2	HEX. NUT M12	1	PC.
69		942301-9	SPRING WASHER 12	1	PC.
70		253843-1	FLAT WASHER 12	1	PC.
71		257061-3	RING 46	1	PC.
72		311433-7	HANDLE SUPPORTER	1	PC.
73		254001-2	WOODRUFF KEY 4	1	PC.
74		325582-4	HANDLE SHAFT	1	PC.
75		231267-1	COMPRESSION SPRING 19	1	PC.
76		931501-6	HEX. NUT M10	1	PC.
77		155336-3	HANDLE 175 COMPLETE	1	PC.
78		941251-5	FLAT WASHER 10	1	PC.
79		273420-3	GRIP 30	1	PC.
80		251904-1	- BOLT K10	1	PC.
81		921432-7	HEX. BOLT M8X20	1	PC.
82		254001-2	WOODRUFF KEY 4	1	PC.
83		325581-6	SCREW M24	1	PC.
84		286018-7	CAP 34	1	PC.
85		443037-8	FELT RING 34	1	PC.
86		311431-1	BASE	1	PC.
87		253134-0	FLAT WASHER 11	4	PC.
88		265209-3	HEX. BOLT M10X70	4	PC.
89		441023-3	STABLE BASE - N/A	2	PC.
90		321294-7	SNAP RING 55	4	PC.
91		411513-0	BELLOWS	4	PC.
92		952263-3	SPLIT PIN 3.0-25	1	PC.
93		321294-7	SNAP RING 55	4	PC.
94		221317-0	STRAIGHT BEVEL GEAR 16	1	PC.
95		212211-7	THRUST NEEDLE BEARING 1528	1	PC.
96		911351-5	PAN HEAD SCREW M6X30	5	PC.
97		221317-0	STRAIGHT BEVEL GEAR 16	1	PC.
98		961055-9	RETAINING RING S-15	1	PC.
99		333130-5	COLUMN	4	PC.
100		951284-2	SPRING PIN 8-60	8	PC.
101		443038-6	FELT RING 60	4	PC.
102		286019-5	CAP 60	4	PC.
103		214057-7	PLANE BEARING 10	2	PC.
104		323702-4	ROLLER 32-353	2	PC.
105		214057-7	PLANE BEARING 10	2	PC.
106		265881-1	ADJUST SCREW M27	2	PC.
107		321945-2	METAL HOLDER	2	PC.
108		256650-1	PIN 10	2	PC.
109		231254-0	COMPRESSION SPRING 14	2	PC.
110		214251-1	PLANE BEARING 17	2	PC.
111		342538-2	METAL COVER L	2	PC.
112		911216-1	PAN HEAD SCREW M5X14	4	PC.
113		162094-4	ROLLER 65-400	2	PC.
114		254001-2	WOODRUFF KEY 4	2	PC.

Item No	Type	Part No	Description	Qty	Unit
115		231254-0	COMPRESSION SPRING 14	2	PC.
116		256650-1	PIN 10	2	PC.
117		321945-2	METAL HOLDER	2	PC.
118		265881-1	ADJUST SCREW M27	2	PC.
119		221503-3	SPROCKET 15	2	PC.
120		961052-5	RETAINING RING S-12	2	PC.
121		225510-8	CHAIN 35-64	1	PC.
122		214251-1	PLANE BEARING 17	2	PC.
123		342537-4	METAL COVER S	2	PC.
124		911216-1	PAN HEAD SCREW M5X14	4	PC.
125		664723-0	POWER SUPPLY CORD AWG#16-3-2.5	1	PC.
126		682505-8	CORD GUARD 10-90	1	PC.
127		687004-5	STRAIN RELIEF	1	PC.
128		911126-2	PAN HEAD SCREW M4X16	2	PC.
129		251690-4	HEX. FLANGE HEAD BOLT M8X30	16	PC.
130		345166-2	DRUM COVER 400	4	PC.
131		911211-1	PAN HEAD SCREW M5X12	8	PC.
132		342543-9	BLADE HOLDER 400	2	PC.
133		265208-5	HEX. BOLT M5X45	1	PC.
134		942101-7	SPRING WASHER 5	1	PC.
135		221644-5	HELICAL GEAR 15	1	PC.
136		211306-3	BALL BEARING 6204LLB	1	PC.
137		161064-0	DRUM	1	PC.
138		254218-7	KEY 5	1	PC.
139		912221-1	COUNTERSUNK HEAD SCREW M5X16	4	PC.
140		285646-5	BEARING RETAINER 57	1	PC.
141		211306-3	BALL BEARING 6204LLB	1	PC.
142		311434-5	BEARING COVER	1	PC.
143		911231-5	PAN HEAD SCREW M5X20	2	PC.
144		222067-0	V-PULLEY 9-83	1	PC.
145		271236-0	KNOB 40	1	PC.
146		225046-7	POLY V-BELT 9-1143	1	PC.
147		931401-0	HEX. NUT M8	1	PC.
148		942201-3	SPRING WASHER 8	1	PC.
149		941201-0	FLAT WASHER 8	1	PC.
150		911326-4	PAN HEAD SCREW M6X18	2	PC.
151		341408-2	TENSION PLATE	1	PC.
152		251958-8	CAP SQUARE NECK BOLT M8X35	1	PC.
153		156459-0	MOTOR HOUSING	1	PC.
154		284010-7	REAR COVER	1	PC.
155		911211-1	PAN HEAD SCREW M5X12	2	PC.
156		681002-1	INSULATION WASHER	2	PC.
157		181047-4	CARBON BRUSH CB-154	1	SET
158		643650-4	BRUSH HOLDER CAP 6.5-13.5	2	PC.
159		687639-2	STRAIN RELIEF	1	PC.
160		911206-4	PAN HEAD SCREW M5X10	1	PC.
161		911251-9	PAN HEAD SCREW M5X30	1	PC.
162		164504-7	PROTECTOR	1	PC.
163		921451-3	HEX. BOLT M8X30	2	PC.
164		325583-2	HINGE PIN	1	PC.
165		961065-6	STOP RING E-15	2	PC.
166		624521-4	FIELD ASS'Y 115V	1	PC.
	INC.	654020-2	RING TERMINAL	2	PC.
	INC.	654502-4	CONNECTOR P-2	2	PC.
166A		624523-0	FIELD 220V	1	PC.
	INC.	654020-2	RING TERMINAL	2	PC.
	INC.	654502-4	CONNECTOR P-2	2	PC.
167		211066-7	BALL BEARING 6200LLB	1	PC.
168		213051-6	DUST SEAL 10	1	PC.
167		911942-2	PAN HEAD SCREW M5X95	2	PC.

Item No	Type	Part No	Description	Qty	Unit
170		614546-6	ARMATURE ASS'Y 115V	1	PC.
	INC.		Item No. 167,168,171-173		
170A		514548-1	ARMATURE ASS'Y 220V	1	PC.
	INC.		Item No. 167,168,171-173		
171		241514-2	FAN 92	1	PC.
172		213102-5	DUST SEAL 12	1	PC.
173		211106-1	BALL BEARING 6201LLB	1	PC.
174		263005-3	RUBBER PIN 6	1	PC.
175		315021-2	BRACKET COMPLETE	1	PC.
	INC.		Item No. 174		
176		911241-2	PAN HEAD SCREW M5X25	4	PC.
177		222066-2	V-PULLEY 9-35	1	PC.
178		253930-6	FLAT WASHER 7	1	PC.
179		912221-1	COUNTERSUNK HEAD SCREW M5X16	1	PC.
180		253794-8	FLAT WASHER 18	1	PC.
200		133588-110	MOTOR ASSY-2040 (115V)	1	PC.
			Item No. 153-158, 166,169, 170, 175, 176		
200A		133588-220	MOTOR ASSY-2040 (220V)	1	PC.
			Item No. 153-158, 166A,169, 170A, 175, 176		
400		793019-3	PLANER BLADE 400	1	SET
401		251690-4	HEX. FLANGE HEAD BOLT M8X30	2	PC.
402		441021-7	WOODEN LEVELLER	2	PC.
403		783001-0	(-) SCREWDRIVER 6	1	PC.
404		782213-2	SOCKET WRENCH 13	1	PC.
405		783002-8	(+) SCREWDRIVER 2	1	PC.
406		824001-2	PLASTIC CASE	1	PC.